

UNINSULATED MOBILE MILK TANK

FOR WHAT USE?

- Transport of milk, cream or other food liquids.
- Advantage: low point of gravity
- Easy to attach and transport on a trailer or tray
- Closed-circuit washing with pump (not supplied)



200 to 600 L

4 stainless steel
inox feet

700 to 1 200 L



Drain valve 38 SMS

DN38 SMS wash ball connection
on 40 cm diameter cover

*Photo for information
only*

TECHNICAL DETAILS

Reference and capacity	Dimensions (cm)			
	Length	Height	Width	Foot hindrance
CM300 200 Liters	75	94	70	45x45
CM300 300 Liters	85	103	82	49x50
CM400 400 Liters	98	110	95	56x56
CM500 500 Liters	102	115	102	62x62
CM600 600 Liters	112	117	102	69x67
CM700 700 Liters	175	112	80	60x85
CM800 800 Liters	153	122	87	72x66
CM900 900 Liters	158	124	92	78x60
CM1000 1 000 Liters	175	128	92	93x70
CM1200 1 200 Liters	184	129	98	94x74

- Other volumes on request



INSULATED PORTABLE TANKS FROM 500 TO 4,000 L

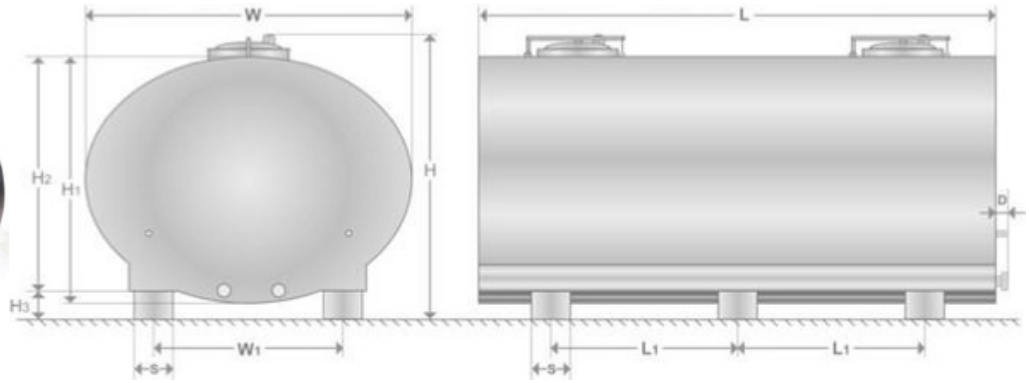


Photo for information only

Capacity (Liters)	Dimensions						Weight (kg)	Number of feet		
	W	W1	H1	H2	H3	H				
530	990	590	800	765	140	1055	1250	740	170	4
800	990	590	800	765	140	1055	1830	1110	215	4
1050	1320	760	1080	1030	140	1320	1250	800	232	4
1050	990	590	800	765	140	1055	2400	825	320	6
1580	1320	760	1080	1030	140	1320	1830	1090	330	4
1580	990	590	800	765	140	1055	3550	1395	350	6
2100	1320	760	1080	1030	140	1320	2400	825	370	6
2100	1320	760	1080	1030	140	1320	2400	825	425	6
2600	1320	760	1080	1030	140	1320	2950	1095	530	6
3160	1320	760	1080	1030	140	1320	3560	1400	580	6
3160	1320	760	1080	1030	140	1320	3560	1400	602	6
4180	1320	760	1080	1030	140	1320	4680	1755	760	6

D = 100mm, S = 151mm

By default, dimensions given are for closed tanks, in food-grade AISI304 stainless steel, sold without agitation, without washing, without transfer pump (options available on request).
Dimensions may vary according to the number of compartments.

